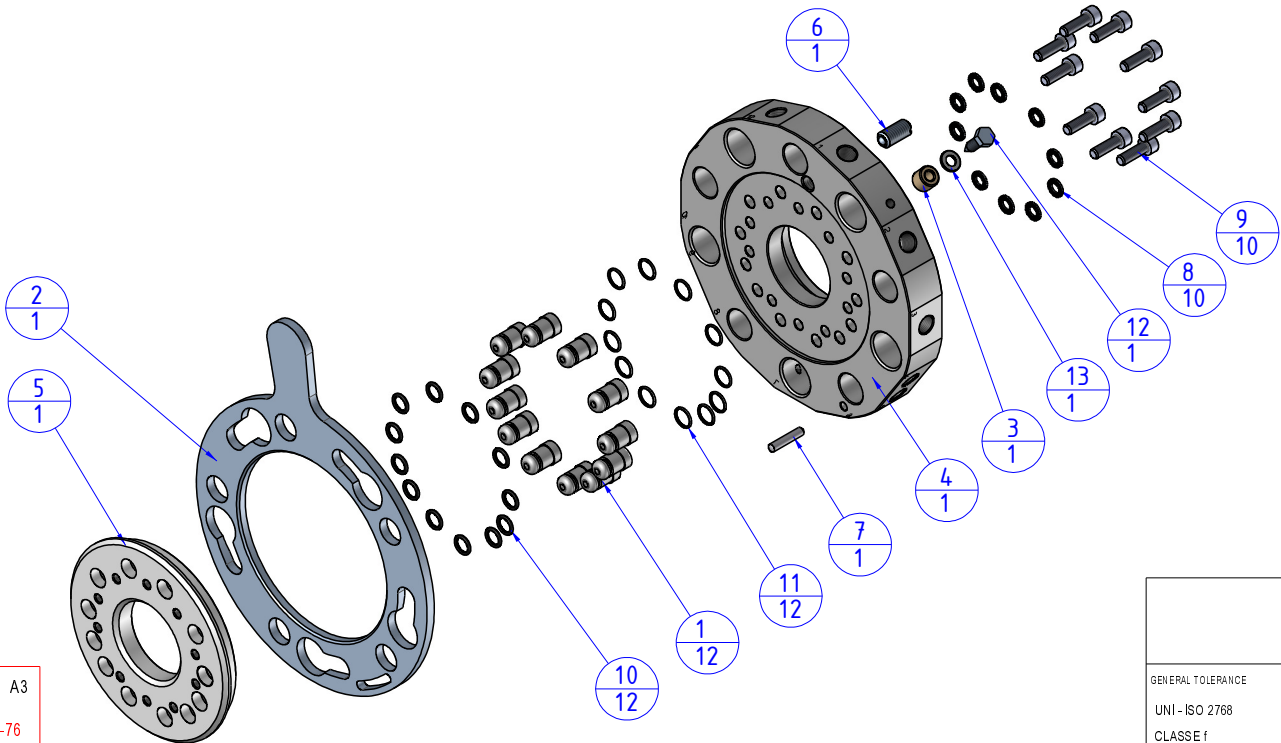
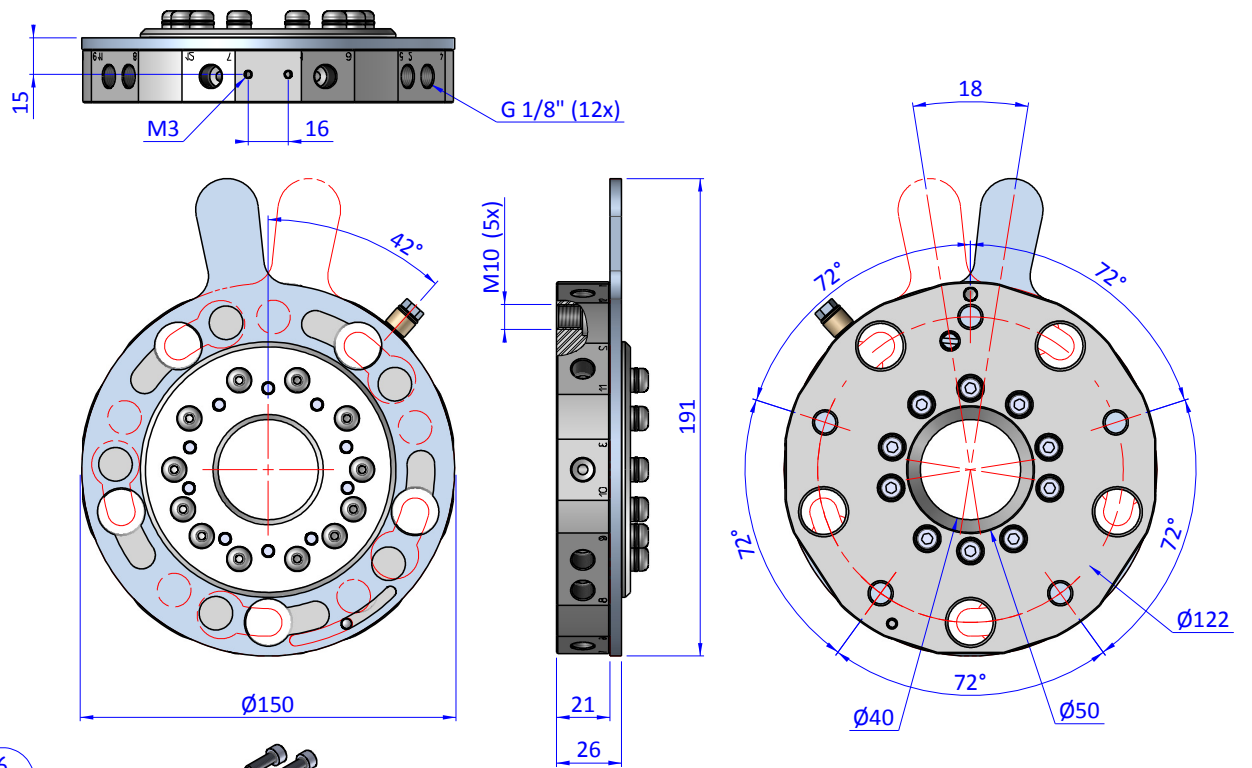



THE PROPERTY OF THE DRAWING IS ESTABLISHED BY LAW. IT IS FORBIDDEN TO PRODUCE OR SHOW IT TO THIRD PARTY, WITHOUT A WRITTEN AGREEMENT.

Item	Name	Q.ty
1	01.01.001.04	12
2	01.01.003.02.L	1
3	01.01.003.05	1
4	01.01.013.01	1
5	01.01.013.03	1
6	EL.GN.33131	1
7	SP.4x20	1
8	R.5.SCH	10
9	V.TCE5x16	10
10	ORM.0070.15	12
11	ORM.0085.10	12
12	01.01.001.08	1
13	R.5	1



Format A3

UNI 936-76

 <b>FPS</b> FPSERVICES AUTOMATION		DESIGNED FROM	REVIEW
		FPS Automation	A
GENERAL TOLERANCE	DESCRIPTION	DATE	WEIGHT
UNI - ISO 2768	CA.01.01.013	01/08/2019	1.218kg
CLASSE F		CODE	CA.01.01.013